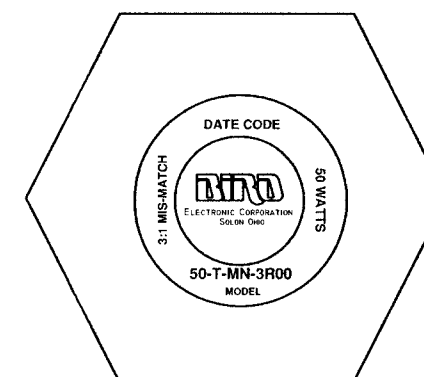
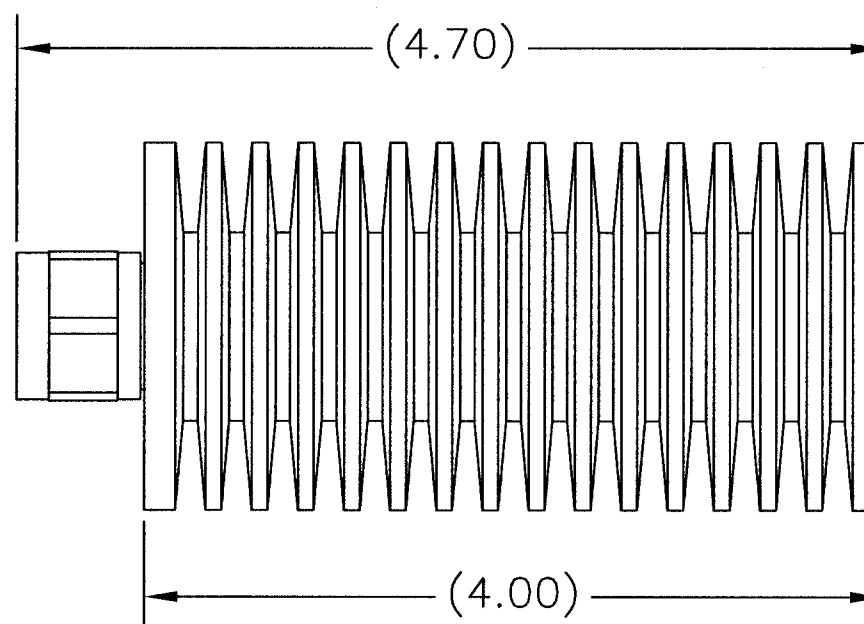
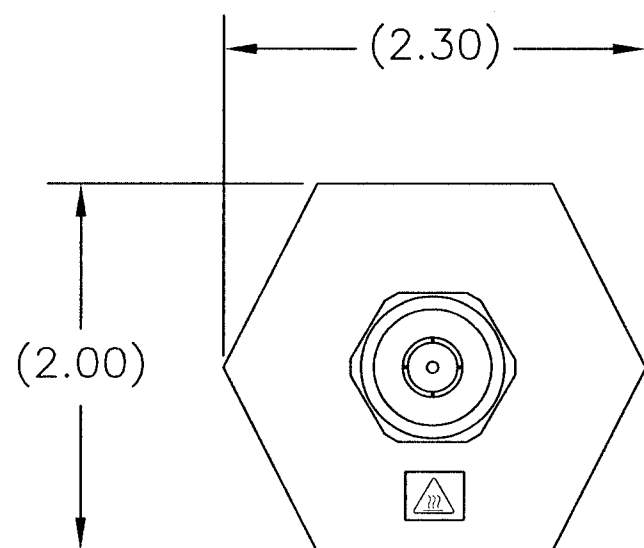


REV A  
 SHEET 1  
 DWG NO. 50-T-MN-3R00

**SPECIFICATIONS:**

POWER RATING: 50 W MAX. @ 40° C.  
 60 W MAX. @ 25° C.  
 FREQUENCY RANGE: DC TO 1GHz  
 VSWR: 3.00:1 +/-0.3  
 IMPEDANCE: 50 OHMS, NOMINAL  
 AMBIENT TEMPERATURE RANGE: -40° C TO +40° C  
 CONNECTOR: N-TYPE MALE (TRI-ALLOY PLATED)  
 OPERATING POSITION: ANY (CONVECTION COOLED)  
 FINISH: BLACK ANODIZED  
 NOMINAL SIZE: APPROX. 4.70" X 2.30"  
 WEIGHT: APPROX. 1.1 LBS

REVISIONS				
ZONE	REV	DESCRIPTION	DATE	APPROVED
	A	DRAWING RELEASE PER DMD DMR	6-16-04	<i>MW</i>



DIMENSIONS HEREON ARE FOR CUSTOMER  
 CONVENIENCE AND REFERENCE ONLY.  
 TOLERANCE TO BE APPLIED ONLY WHERE  
 INDIVIDUALLY STATED ON THE RESPECTIVE  
 DIMENSION. -DO NOT SCALE DRAWING-

UNLESS OTHERWISE SPECIFIED DIMENSIONS ARE IN INCHES TOLERANCES ARE: FRACTIONS DECIMALS ANGLES $\pm 1/64$ .XX=±.010 ±30' .XXX=±.005	MILLIMETERS .X= ±.4 .XX= ±.12
DO NOT SCALE DRAWING	

THIS DRAWING IS THE PROPERTY OF THE BIRD ELECTRONIC CORPORATION. THE DESIGNS AND SPECIFICATIONS DISCLOSED HEREON ARE PROPRIETARY AND SHALL NOT BE REPRODUCED, NOR COPIED, NOR USED AS THE BASIS FOR THE MANUFACTURE OR SALE OF APPARATUS OR DEVICES WITHOUT THEIR EXPRESS WRITTEN CONSENT.



MATERIAL	APPROVALS	DATE	TITLE		
	D.M.RINK	6-15-04	3.0:1 MIS-MATCHED TERMINATION, N-TYPE MALE, 50W		
FINISH	CHECKED		SIZE	FSCM NO.	DWG. NO.
	APPROVED <i>MARK V</i>	6-16-04	B	70998	50-T-MN-3R00
		AUTOCAD	SCALE	COMM CODE	SHEET
			1:1	LD1	1 OF 1